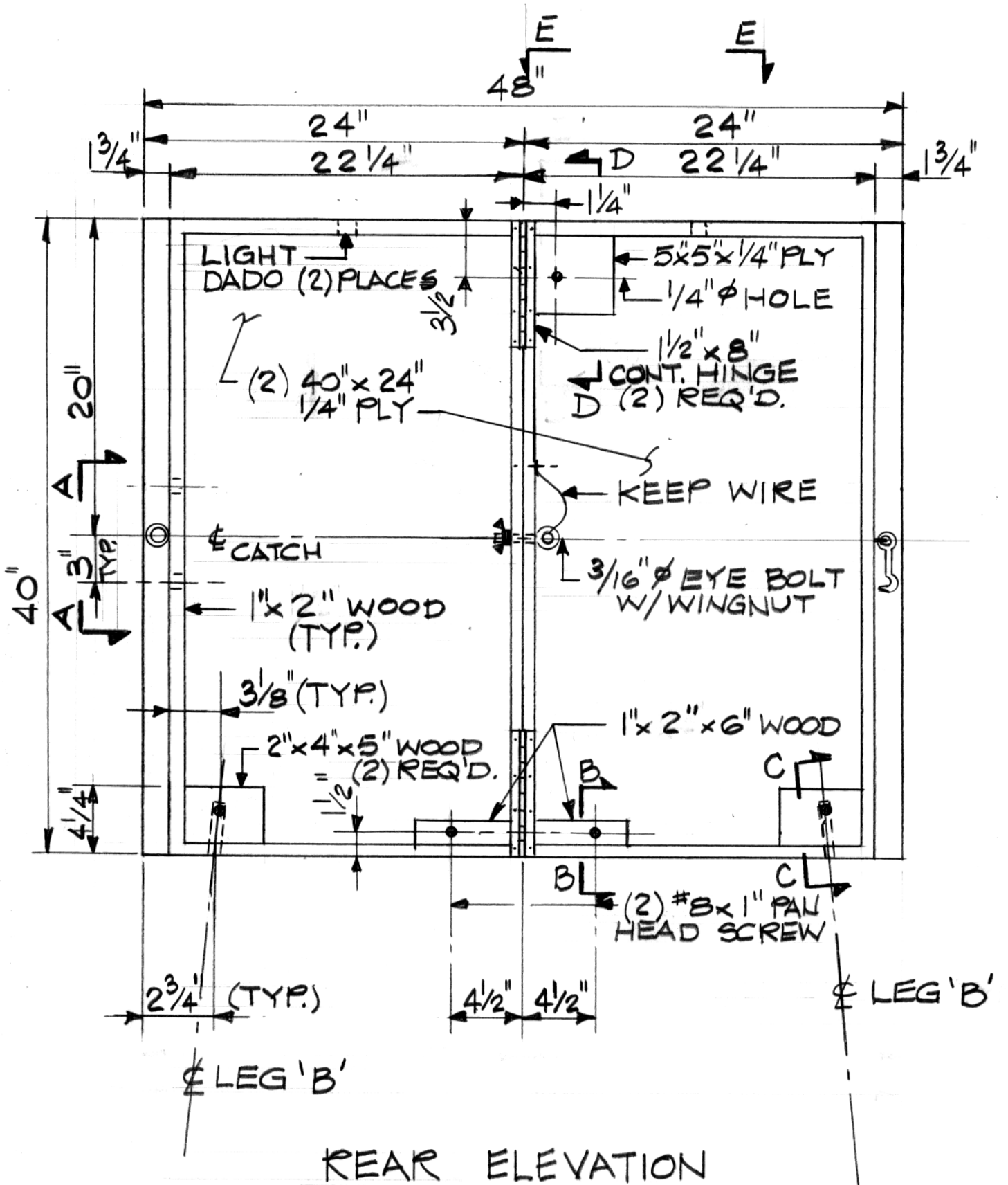
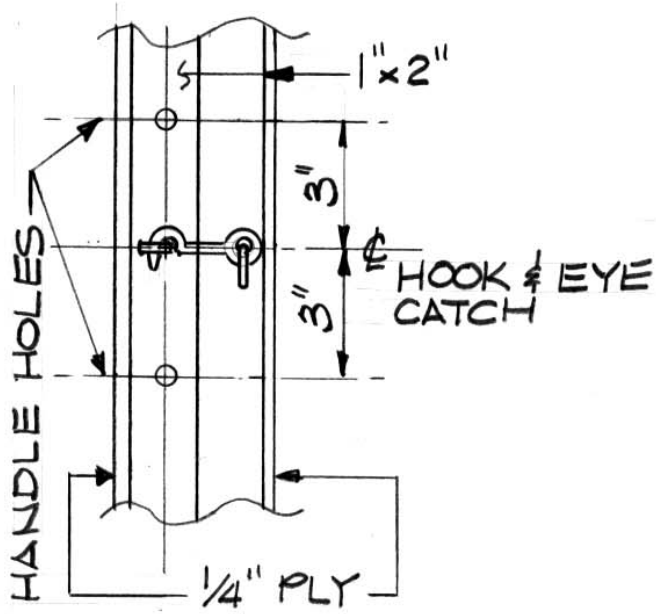
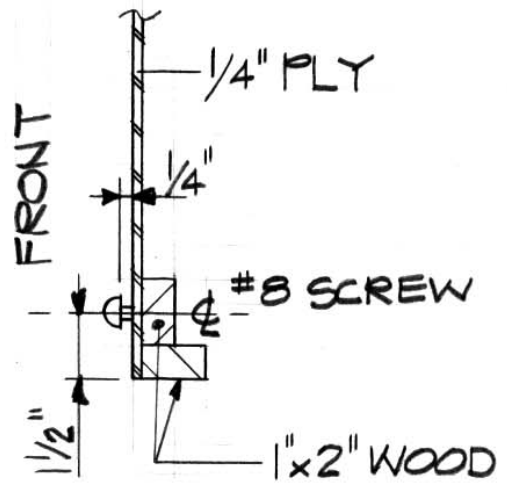


FOLDING SKETCH BOARD

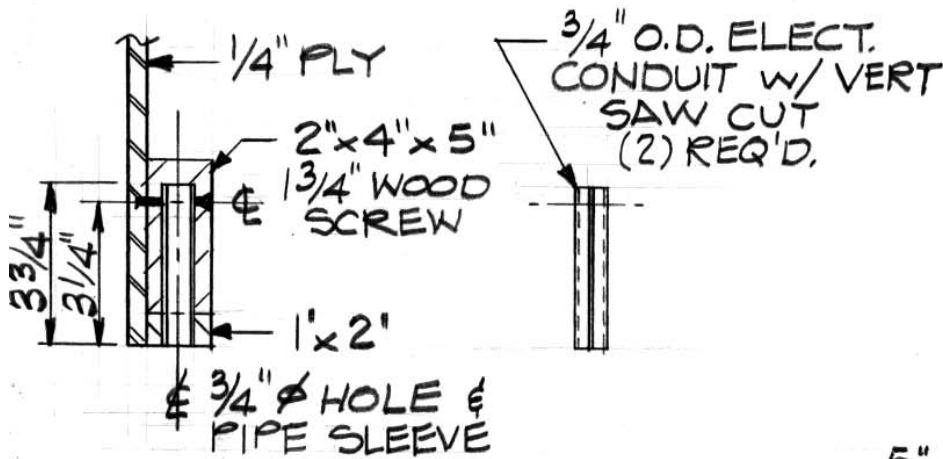




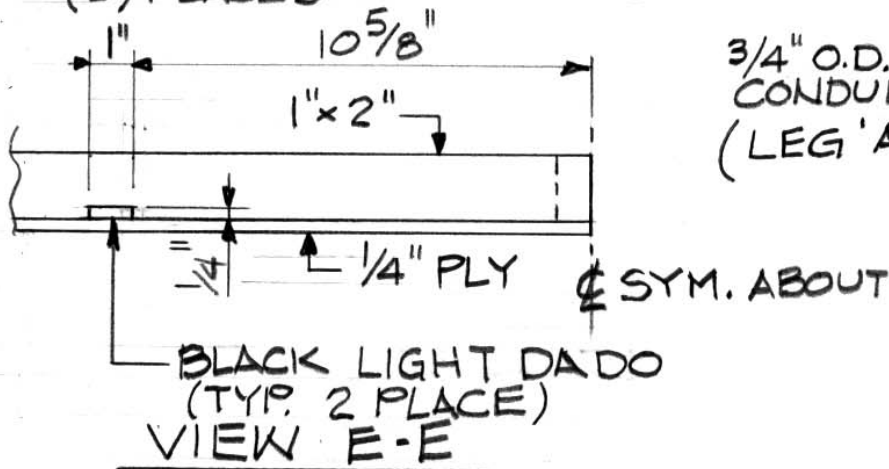
ROPE HANDLE HOLES
VIEW A-A



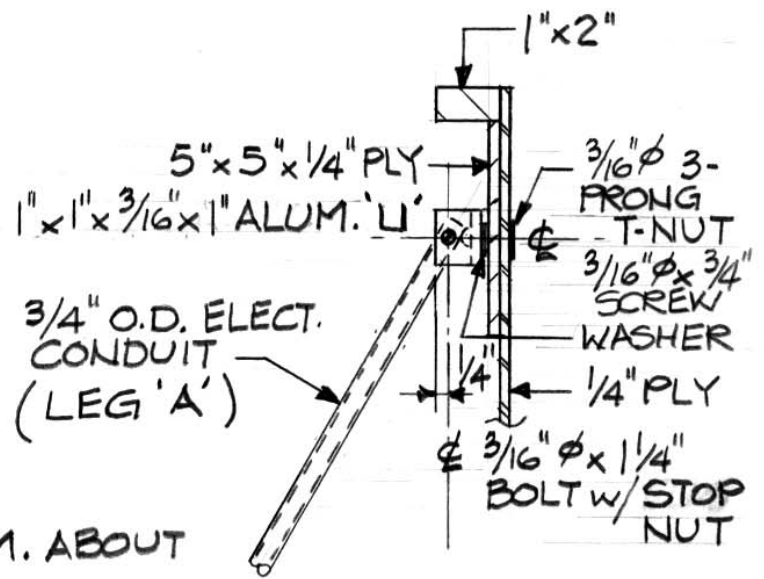
SECTION B-B



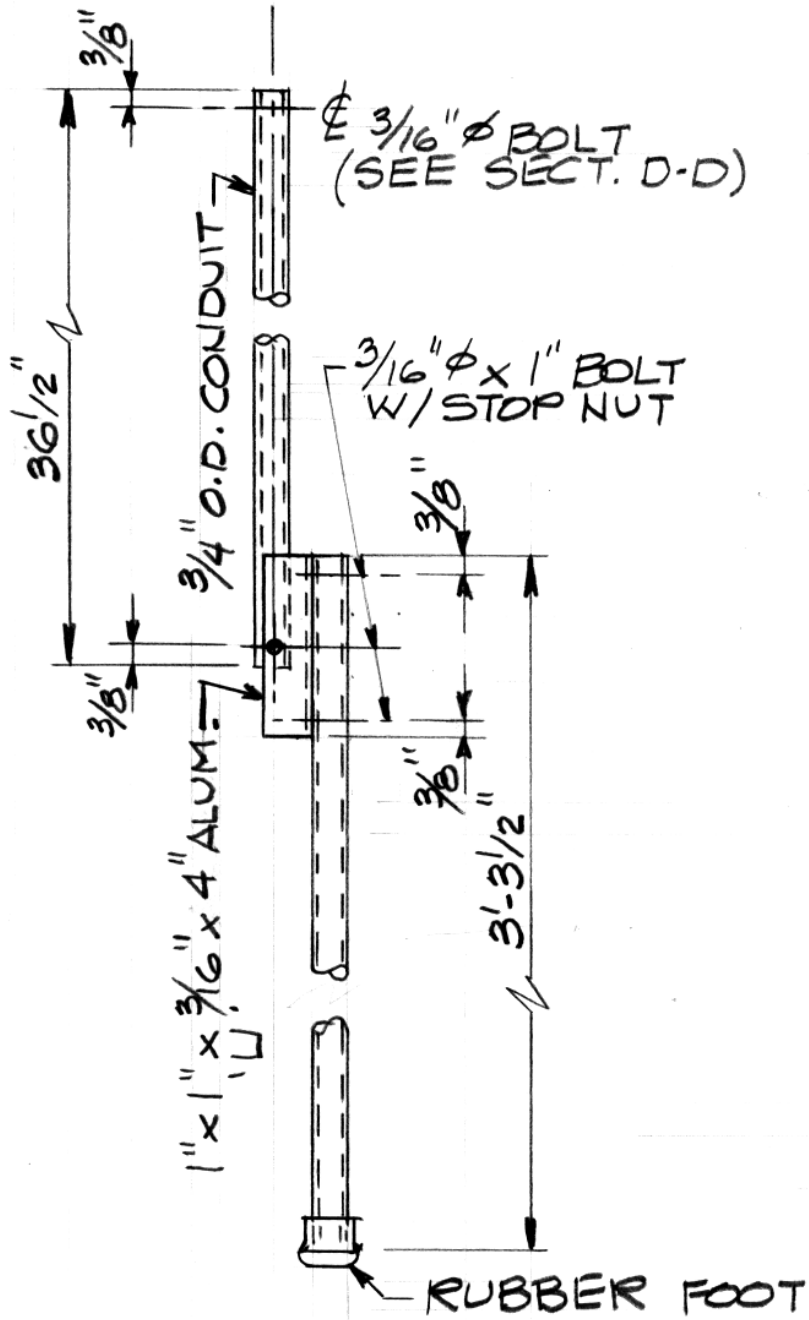
SECTION C-C
(2) PLACES



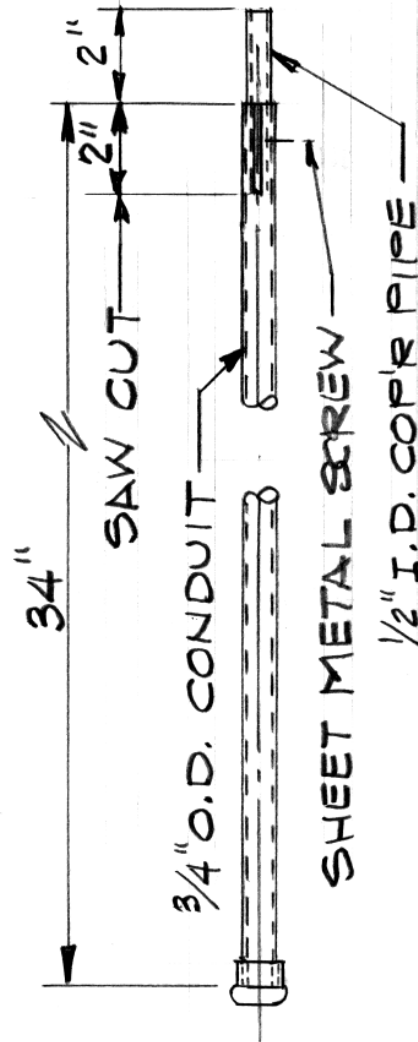
BLACK LIGHT DADO
(TYP. 2 PLACES)
VIEW E-E



SECTION D-D



DETAIL LEG 'A'
(1) REQ'D.



DETAIL LEG 'B'
(2) REQ'D.